



## Explanation of the date code

### Details of the year of manufacture (1. mark in date code):

year	letter	year	letter	year	letter	year	letter	year	letter
1989	X	1997	J	2006	U	2014	E	2023	R
		1998	K	2007	V	2015	F	2024	S
1990	A	1999	L	2008	W	2016	H	2025	T
1991	B	2000	M	2009	X	2017	J	2026	U
1992	C	2001	N			2018	K	2027	V
1993	D	2002	P	2010	A	2019	L	2028	W
1994	E	2003	R	2011	B	2020	M	2029	X
1995	F	2004	S	2012	C	2021	N		
1996	H	2005	T	2013	D	2022	P	2030	A

After 20 years, the letter sequence repeats.

### Detail of the month of production (2. mark in date code)

To display the manufacturing month the following letters and numbers can be used:

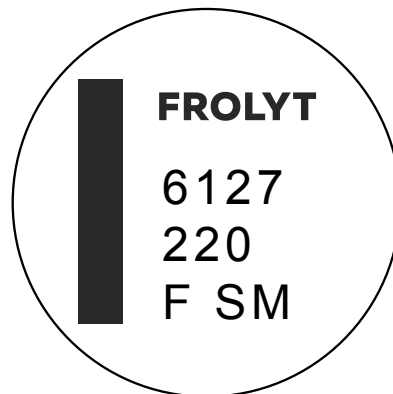
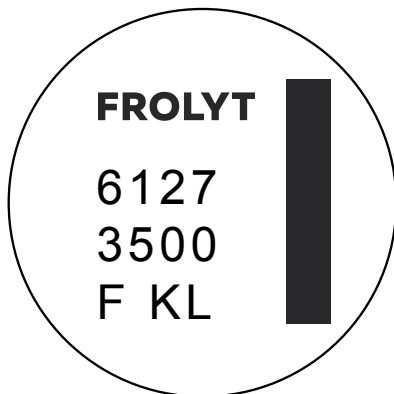
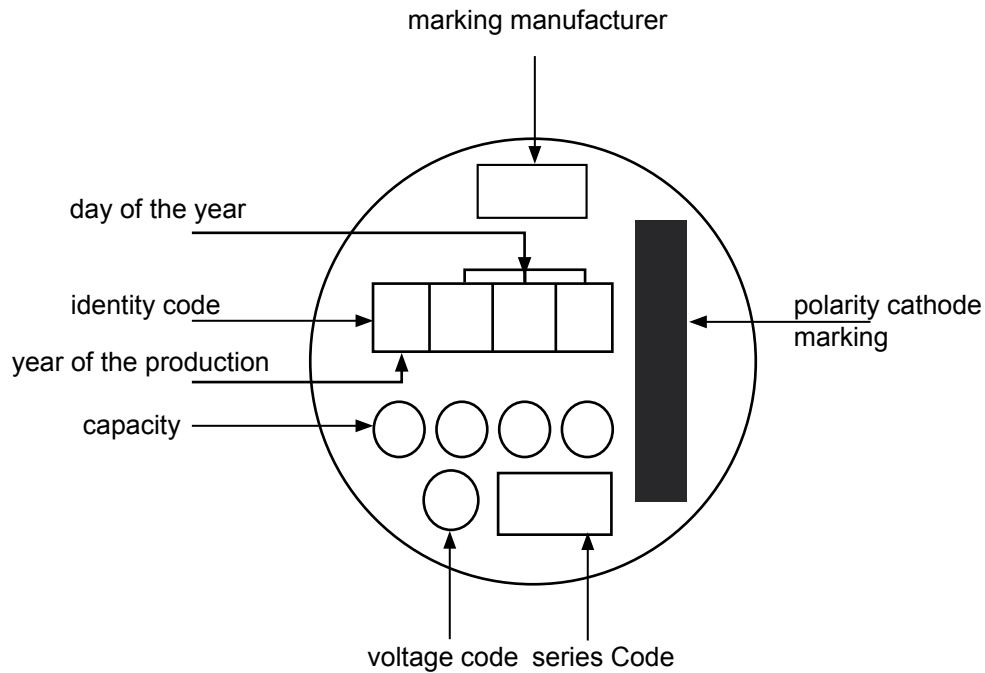
month	sign	month	sign
January	1	July	7
February	2	August	8
March	3	September	9
April	4	October	O
May	5	November	N
June	6	December	D

### Below are some examples of the printed date code :

date of manufacture	date code
June 1990	A6
November 2003	RN
July 2012	C7
March 2024	S3



## Print picture case base



series	EKL	ERY	ERF	ERH	EKLM
code	KL	RY	RF	RH	LM

series	ERS	ERSM	ERSY	ERSH	ERSU
code	S	SM	SY	SH	BO

voltage (V-)	4	6,3	10	16	25	35	40	50	63	75	100	160	200	250	350	385	400	450
code	V	B	C	D	E	F	G	H	J	A	L	M	S	N	O	R	X	P